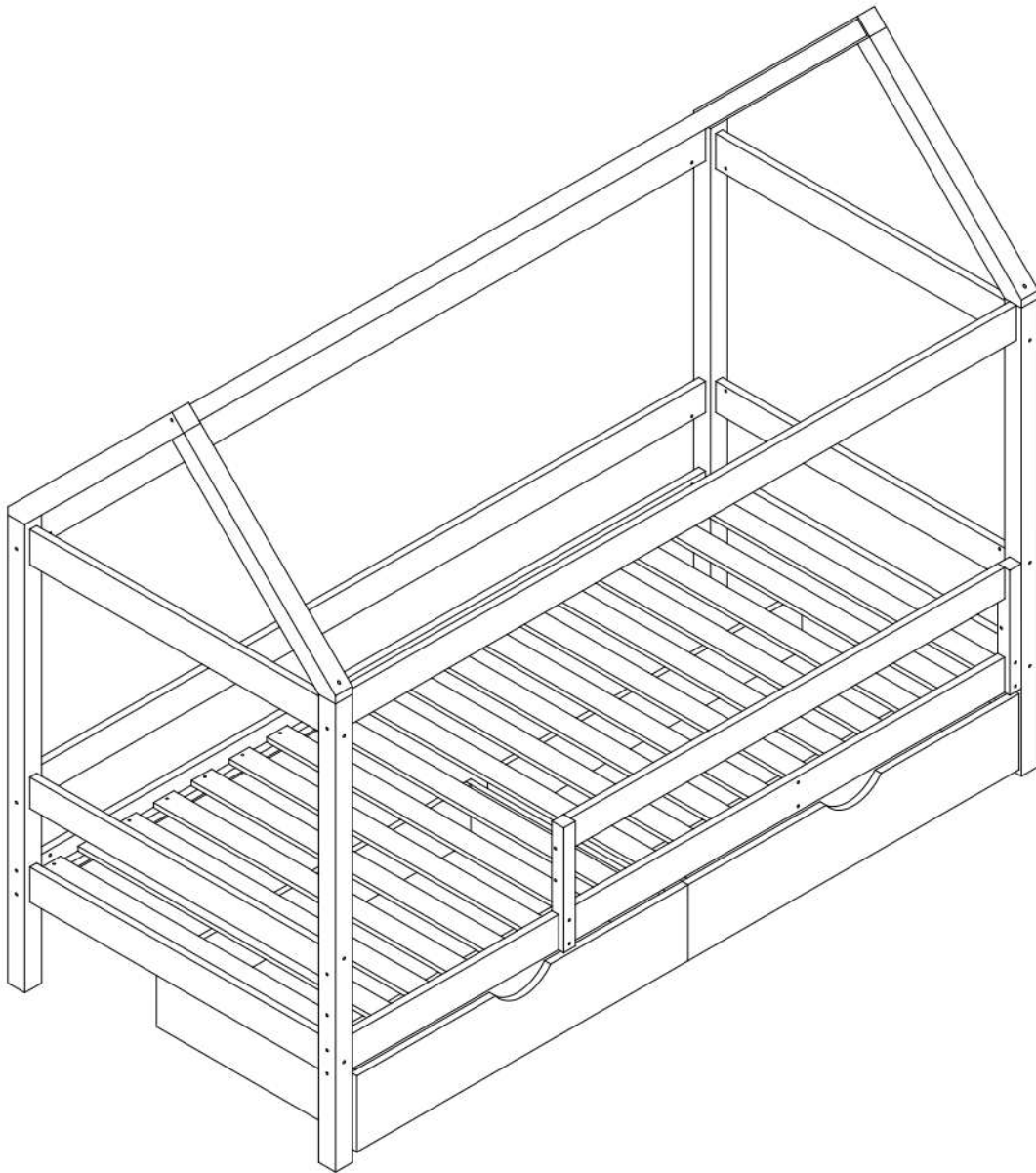

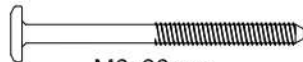



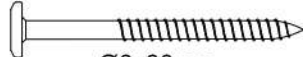

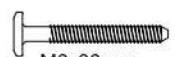




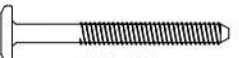

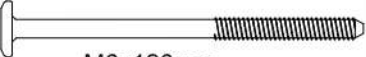


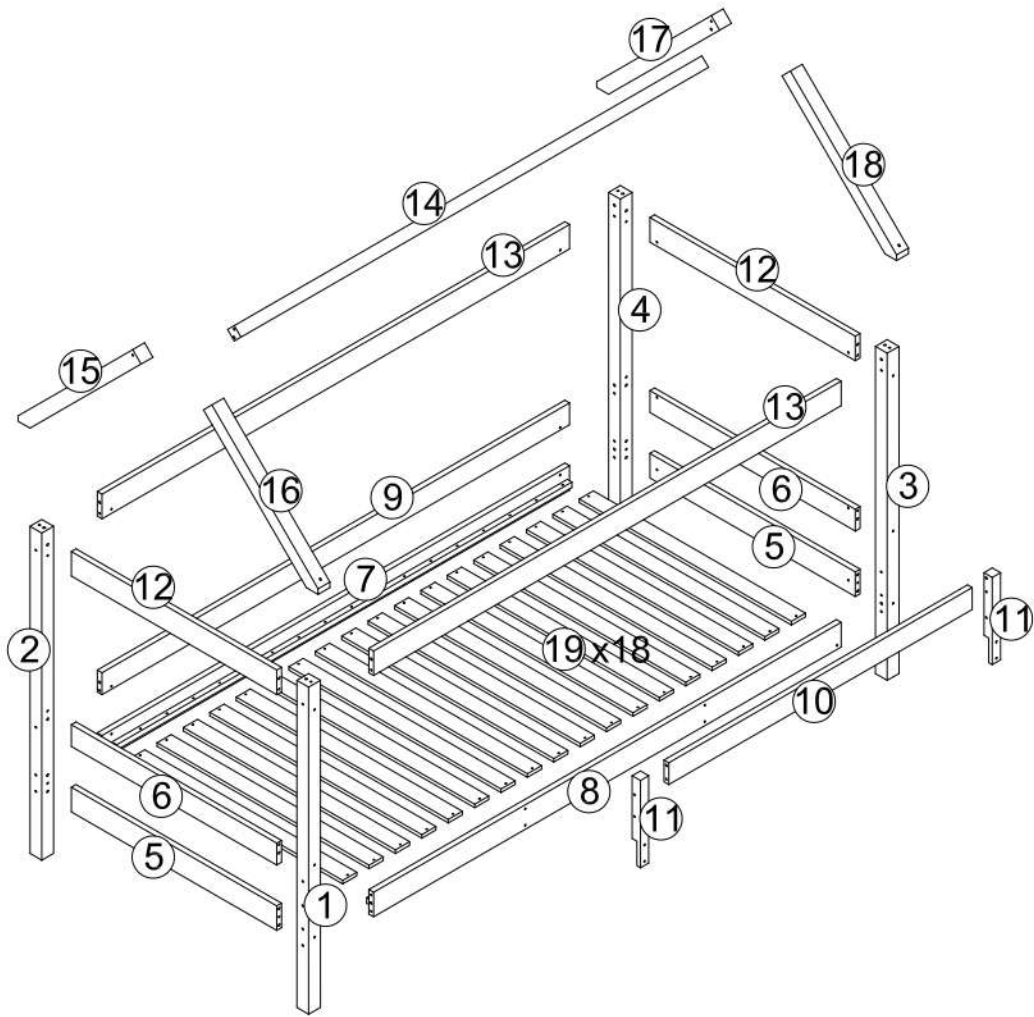


NOEMA

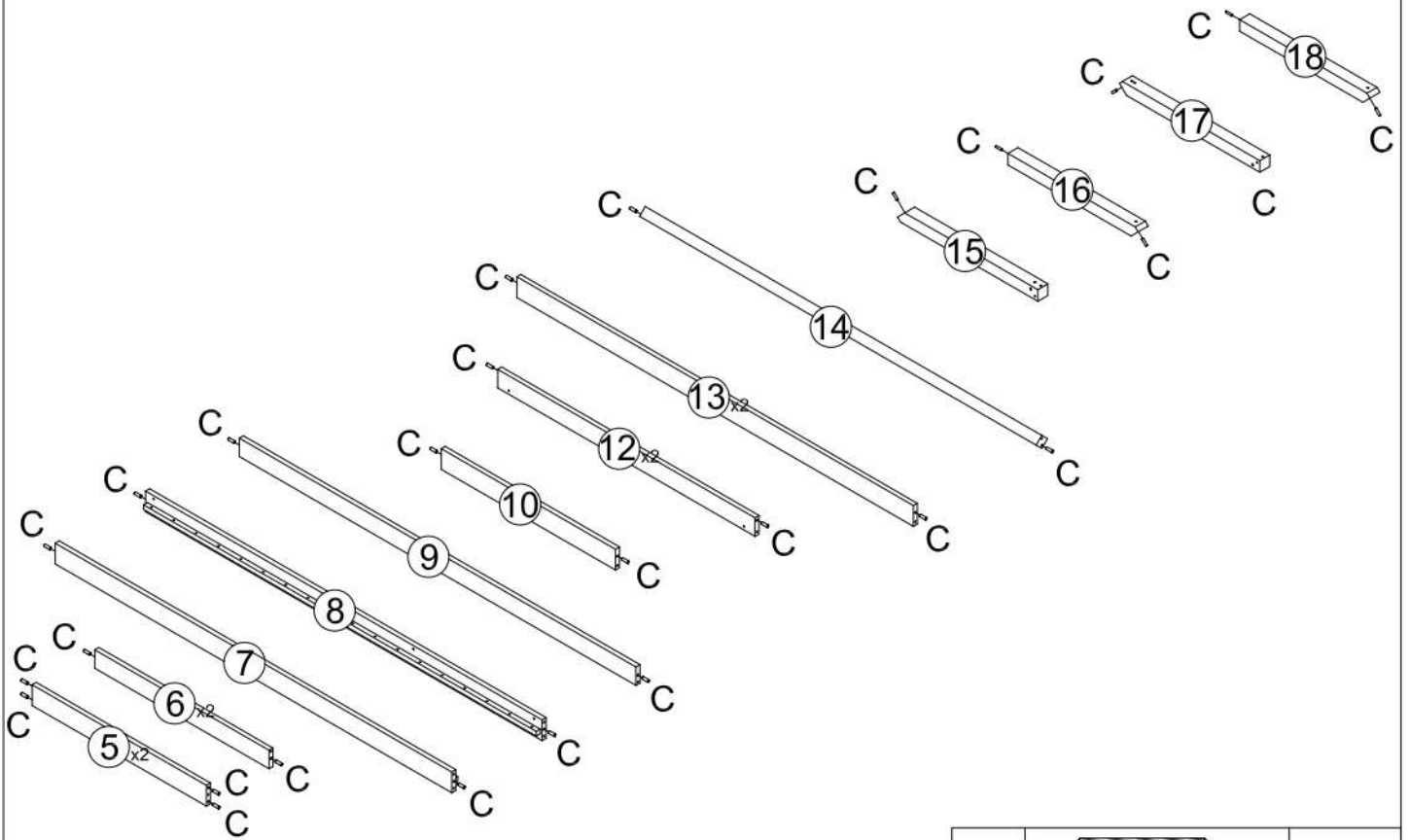



A	 15mm  M6x90mm	26
B		28
C	 Ø8x30mm	36
D	 15mm  Ø6x80mm	08
E	 15mm  M6x30mm	04
F		04

G		02
H	 8mm Ø4x30mm	36
I	 15mm  M6x80mm	02
J	 15mm  M6x120mm	01
K	 Ø15mm	28
L	 Ø8mm	5

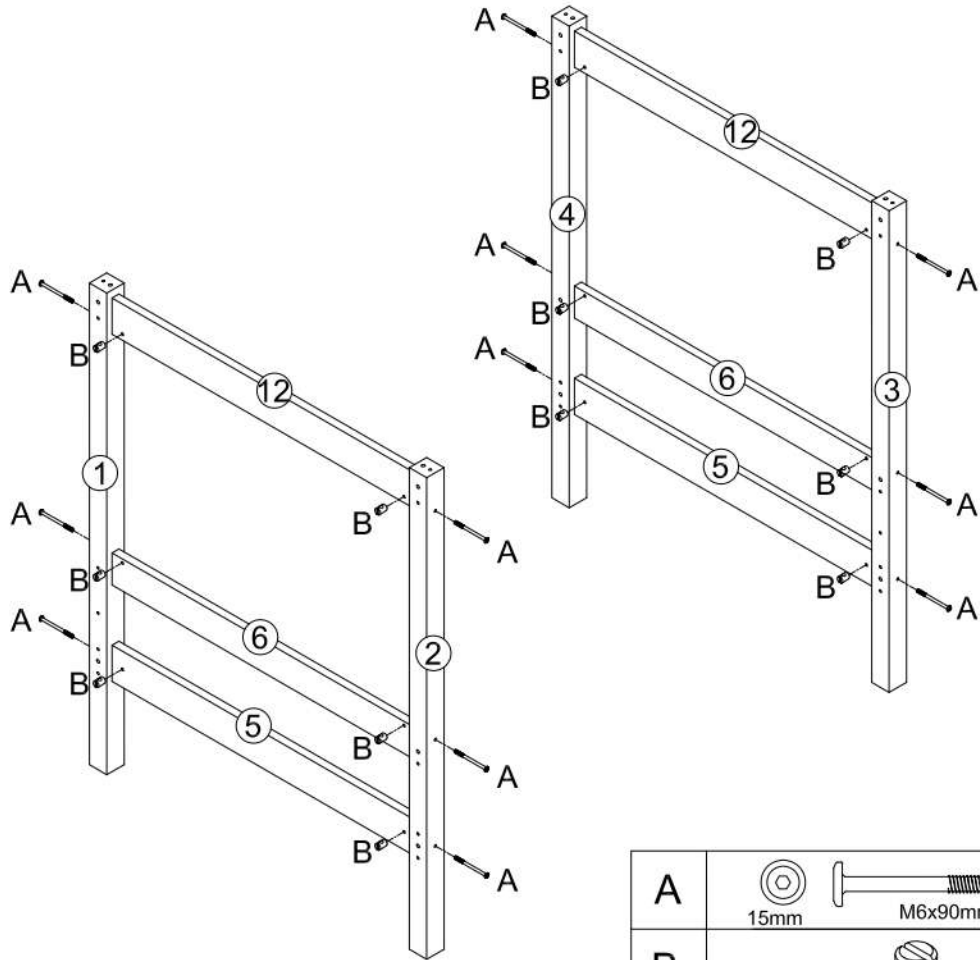



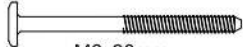

01



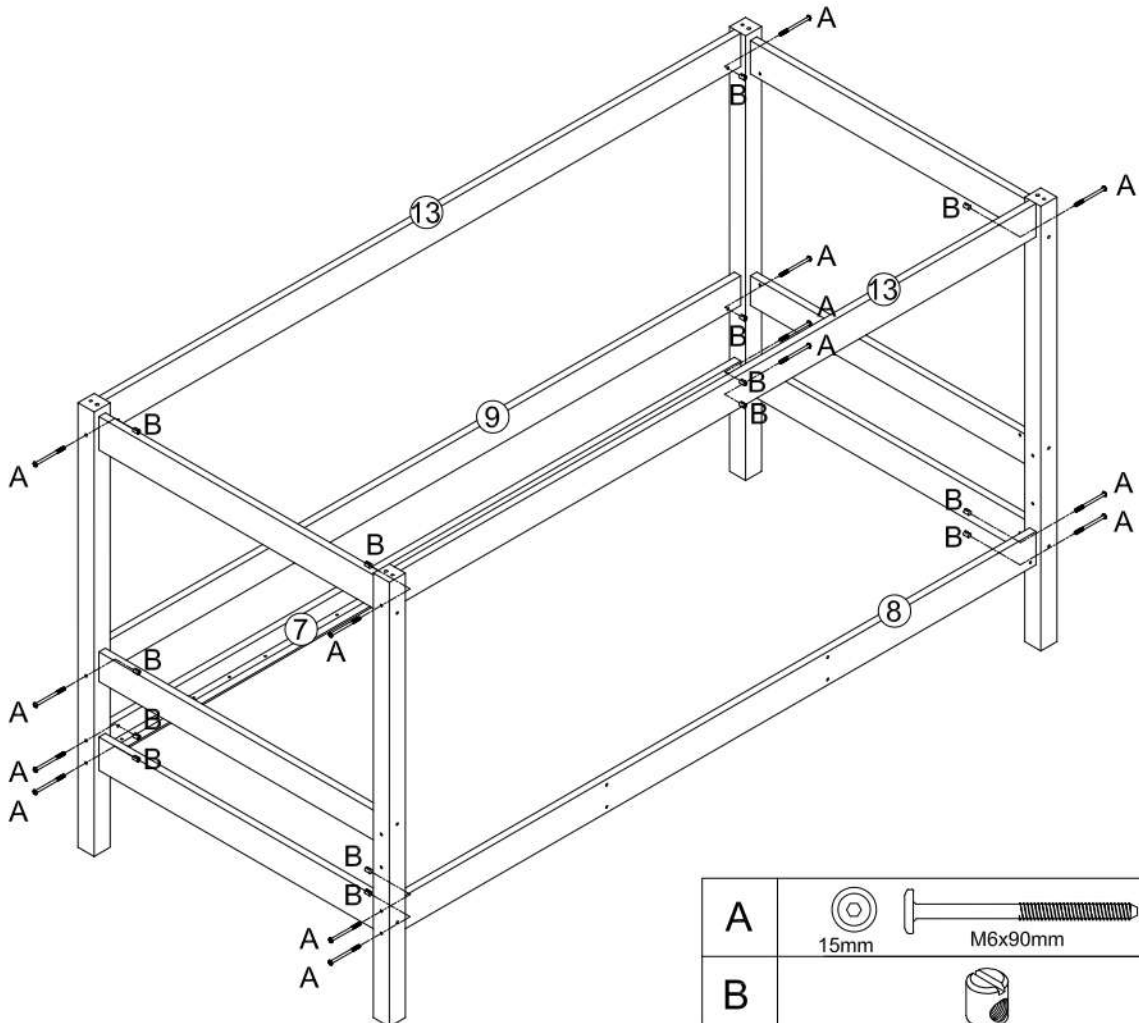
C	 Ø8x30mm	36
---	--	----




02



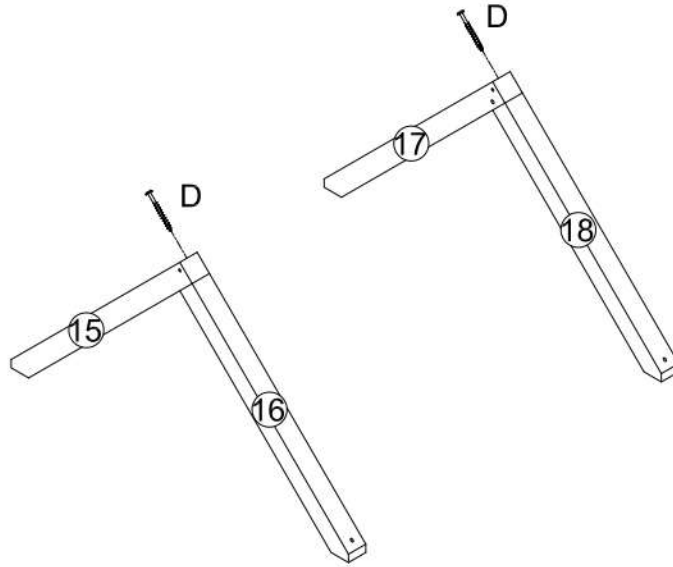
A	 	12
B		12


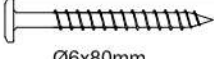
03



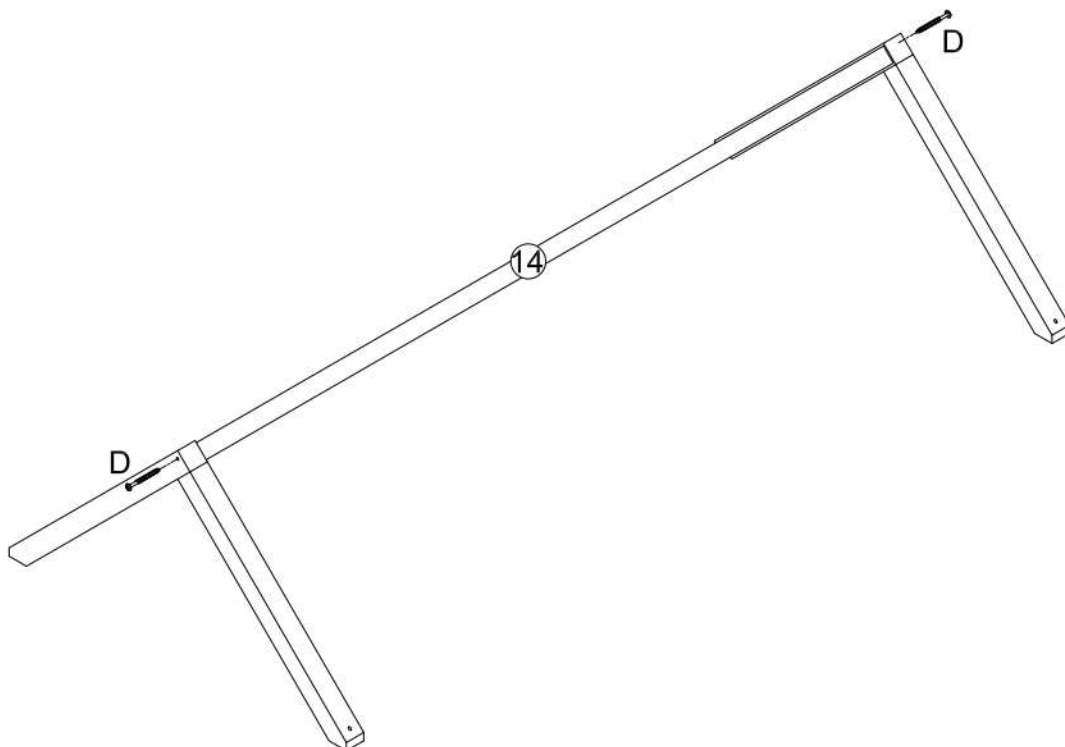
A	 	14
B		14


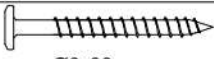
04



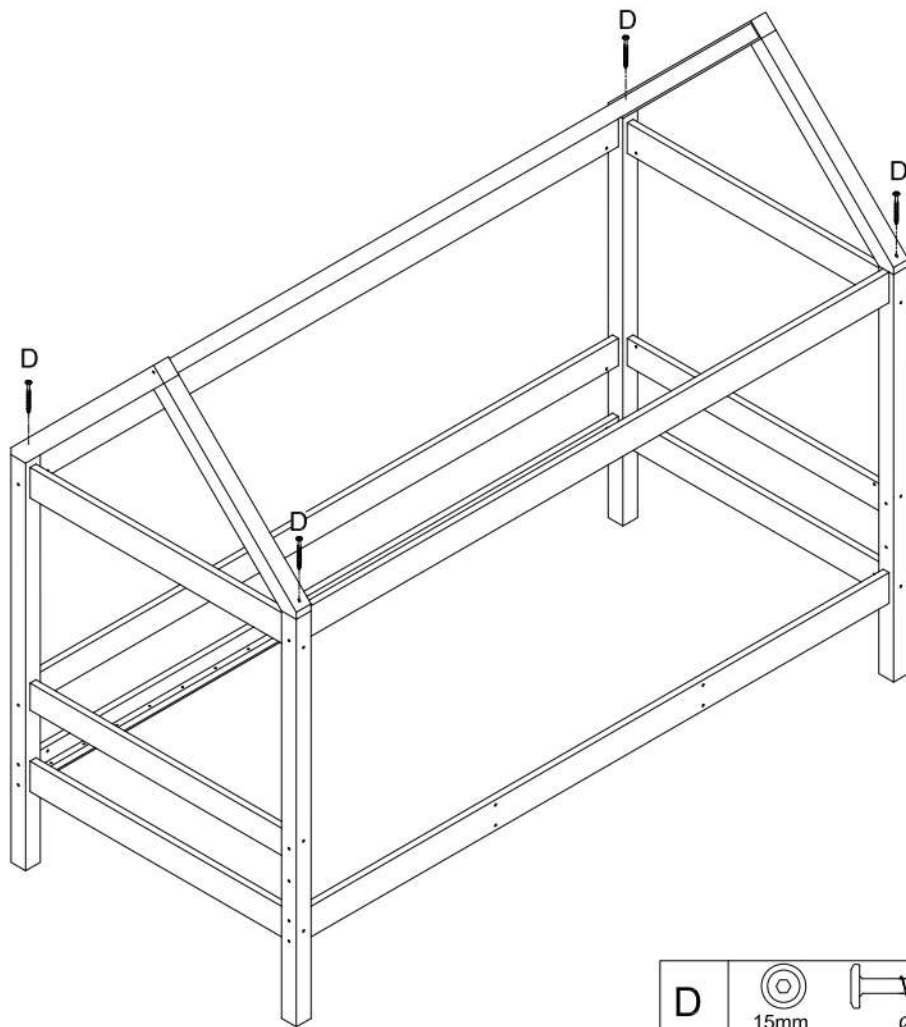
D	 15mm	 Ø6x80mm	2
---	---	--	---



05



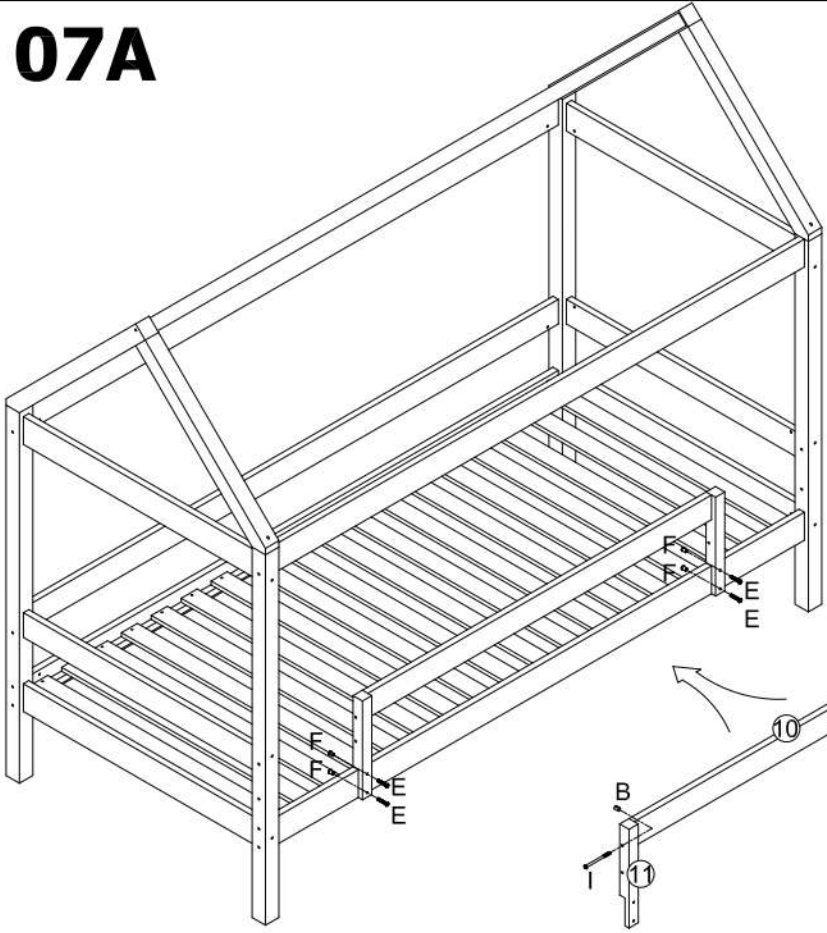
D	 15mm	 Ø6x80mm	2
---	---	--	---







06



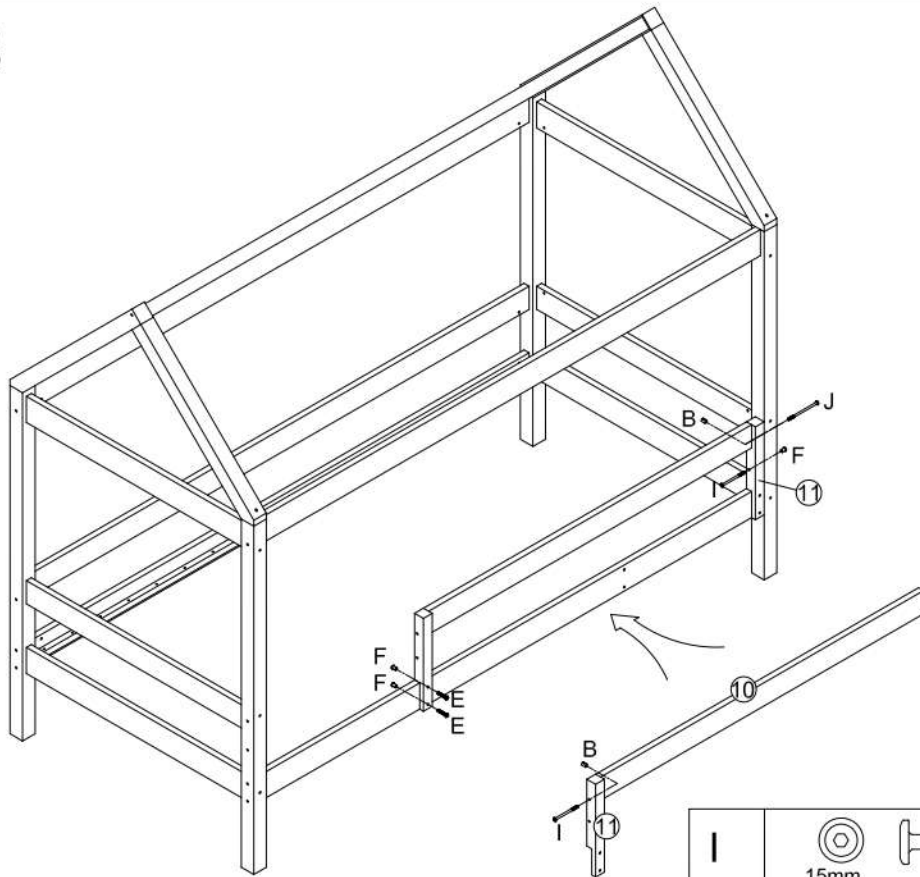
D			4
---	---	---	---


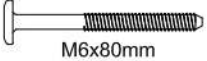

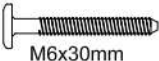



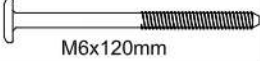
07A



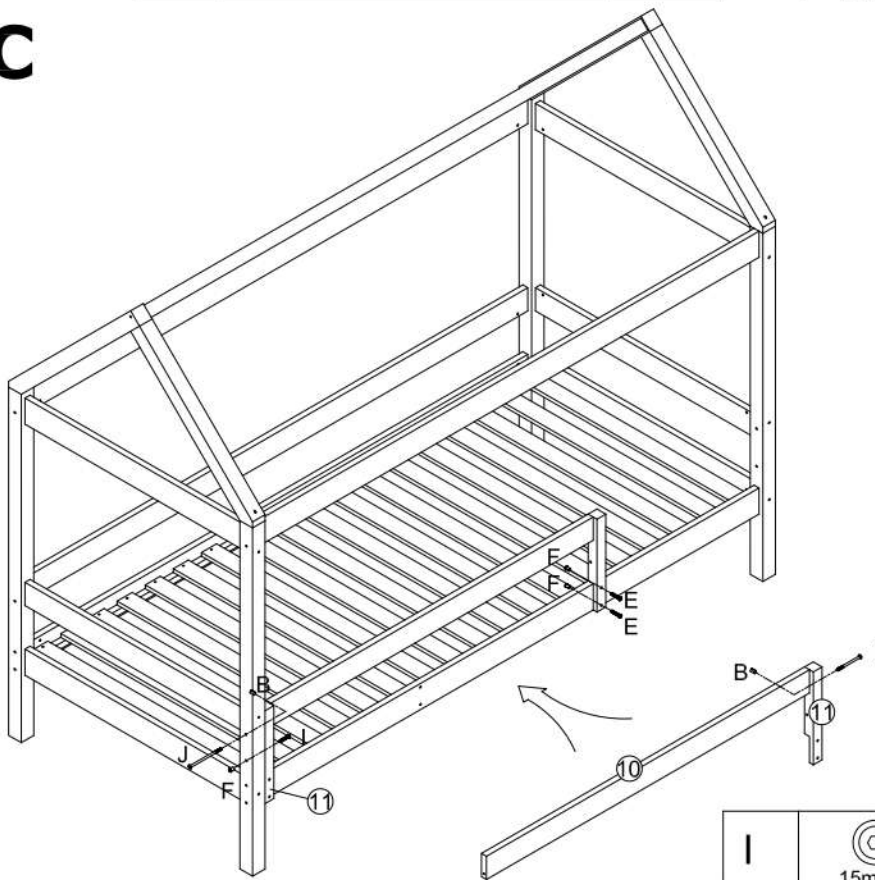
E			4
F			4
I			2
B			2


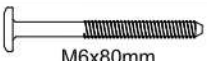





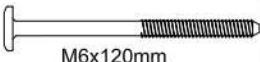
07B



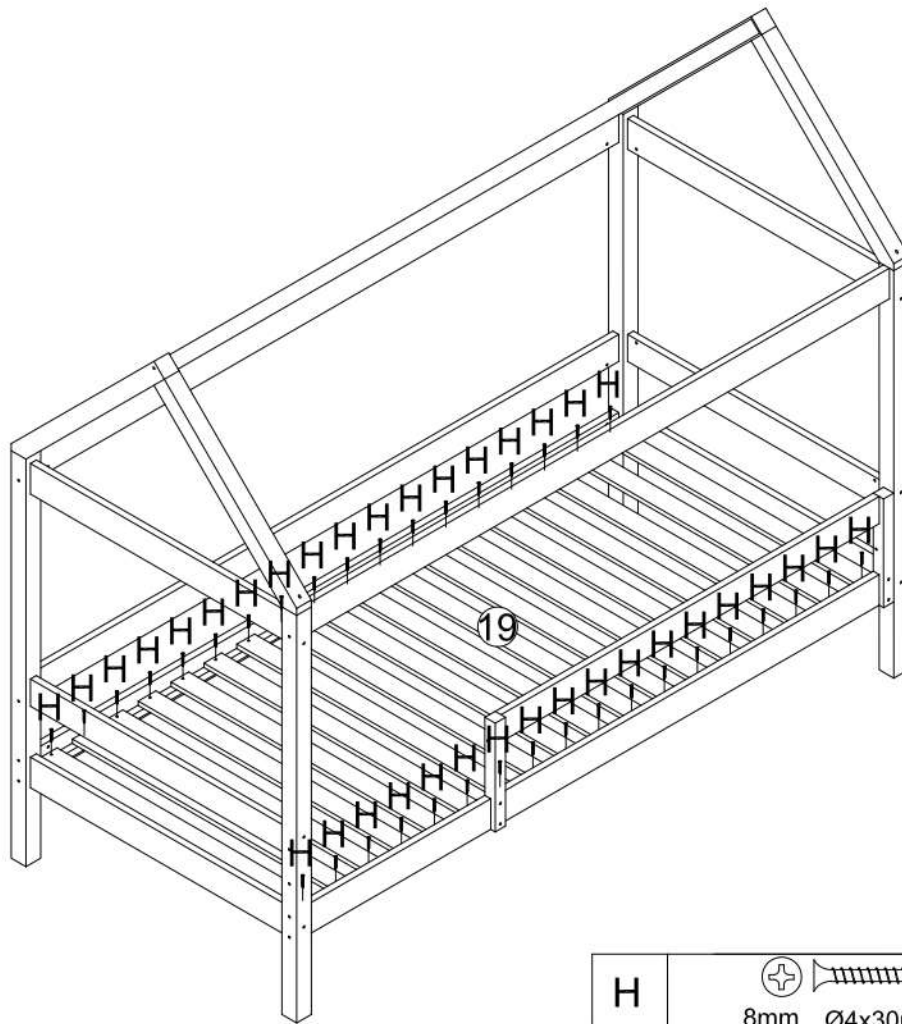
				I	 	2	
E	 15mm		M6x30mm	2	B		2
F				3	J	 	1


07C



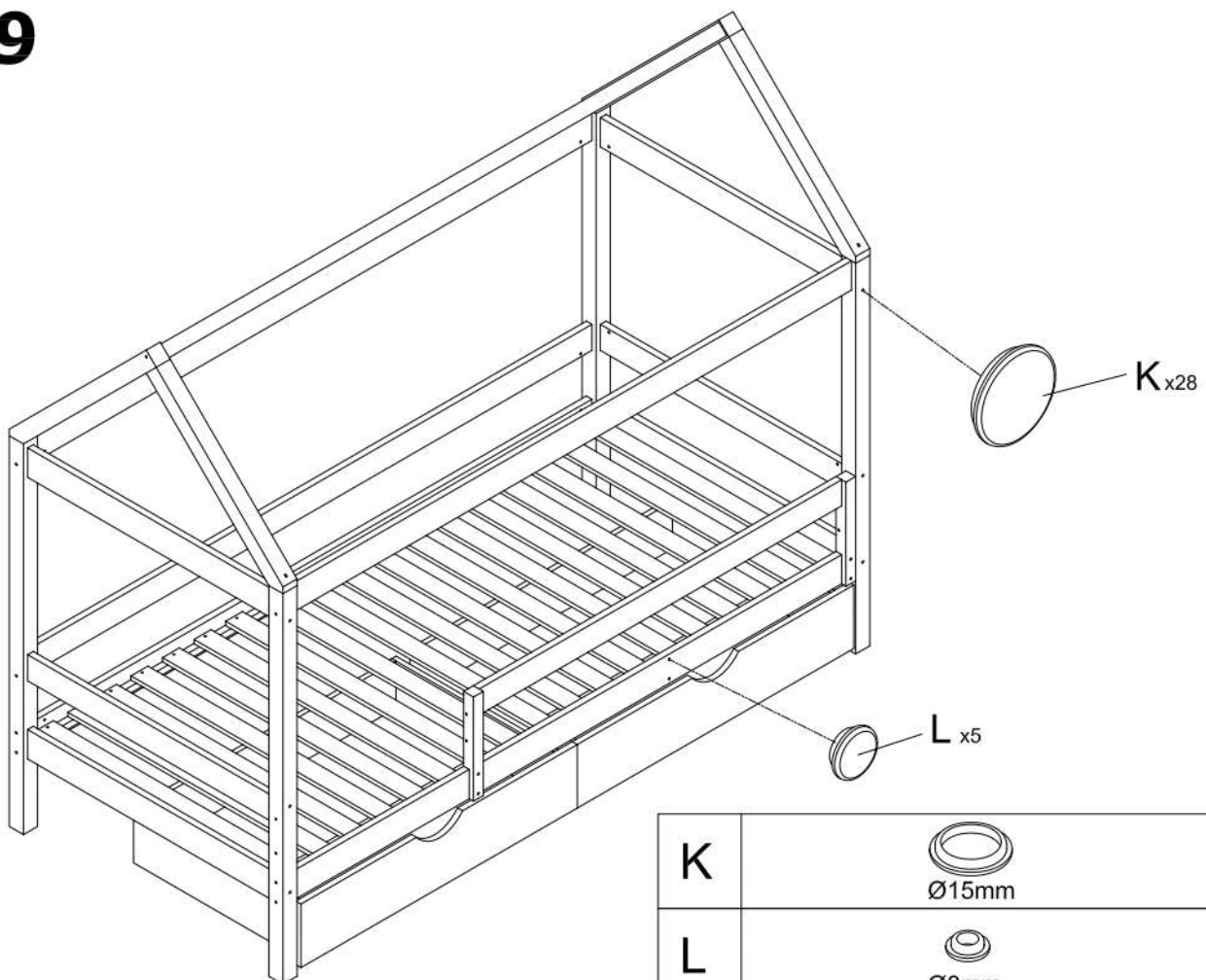
				I	 	2	
E	 15mm		M6x30mm	2	B		2
F				3	J	 	1



08

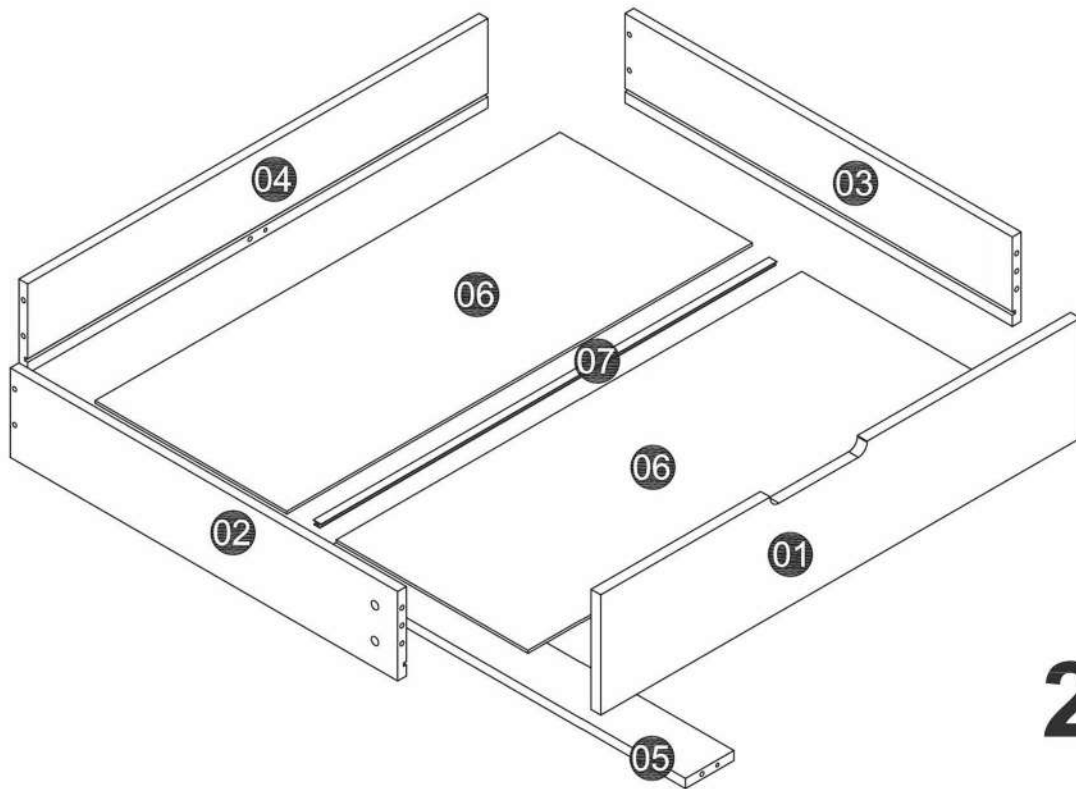


H	 8mm Ø4x30mm	36
---	---	----




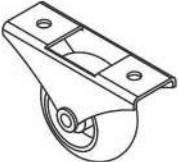
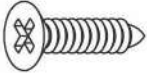

09



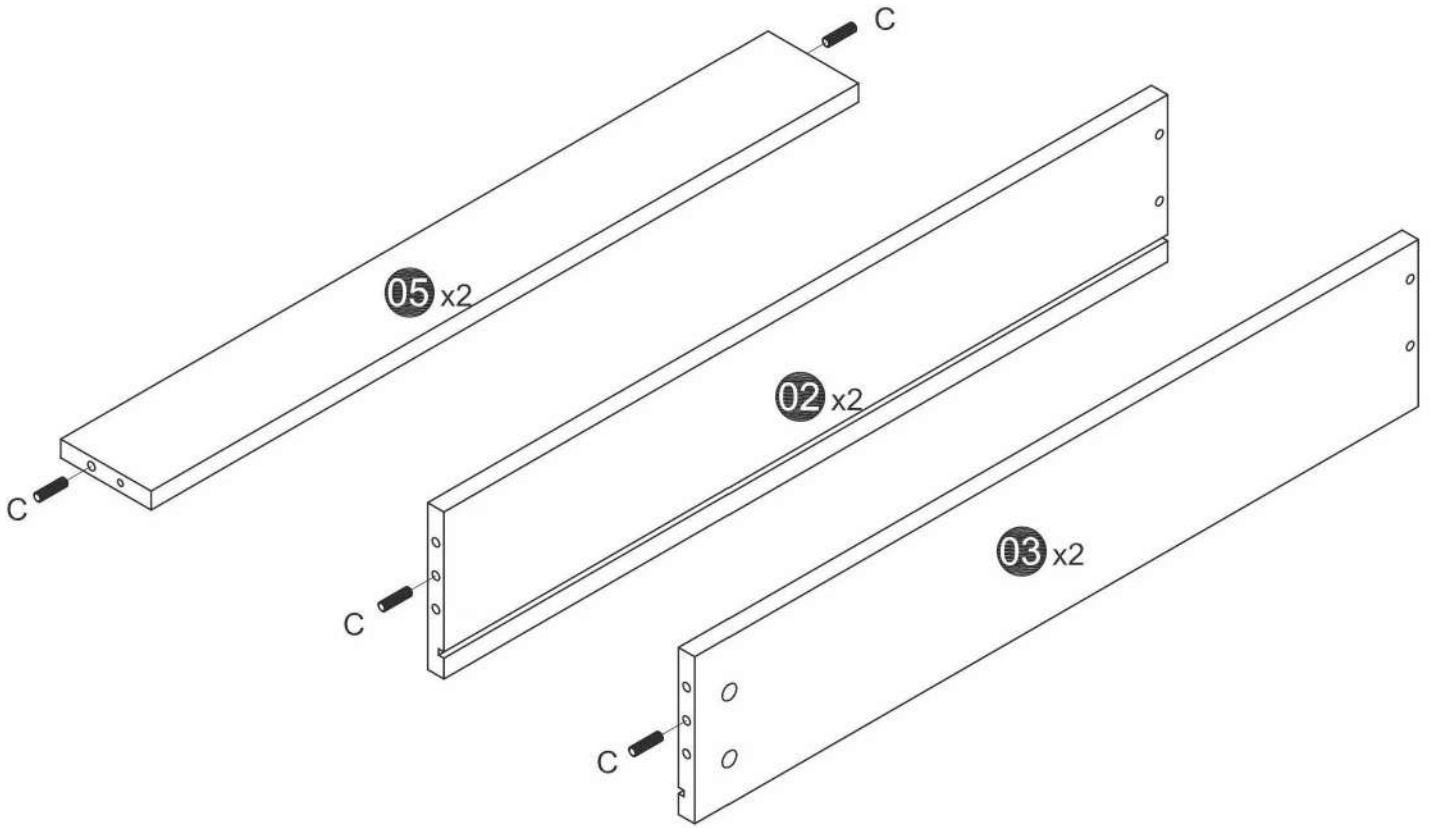
K	 Ø15mm	28
L	 Ø8mm	5



2x

<p>A x12</p> 	<p>B x12</p> 	<p>C x8</p>  <p>Ø8 x30mm</p>
<p>D x8</p> 	<p>E x16</p> 	<p>F x8</p>  <p>Ø4 x40mm</p>

1.

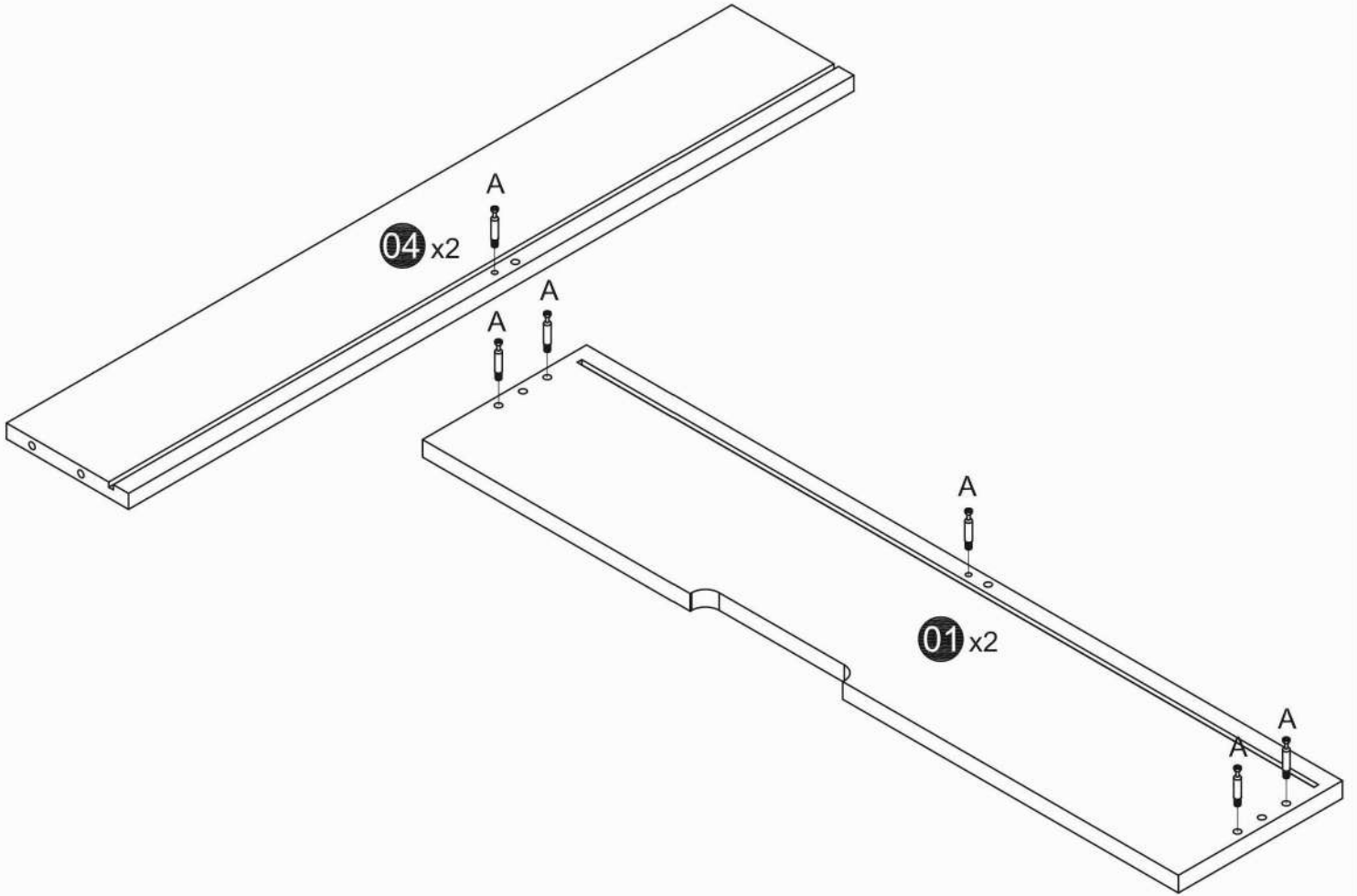


C x8



Ø8 x30mm

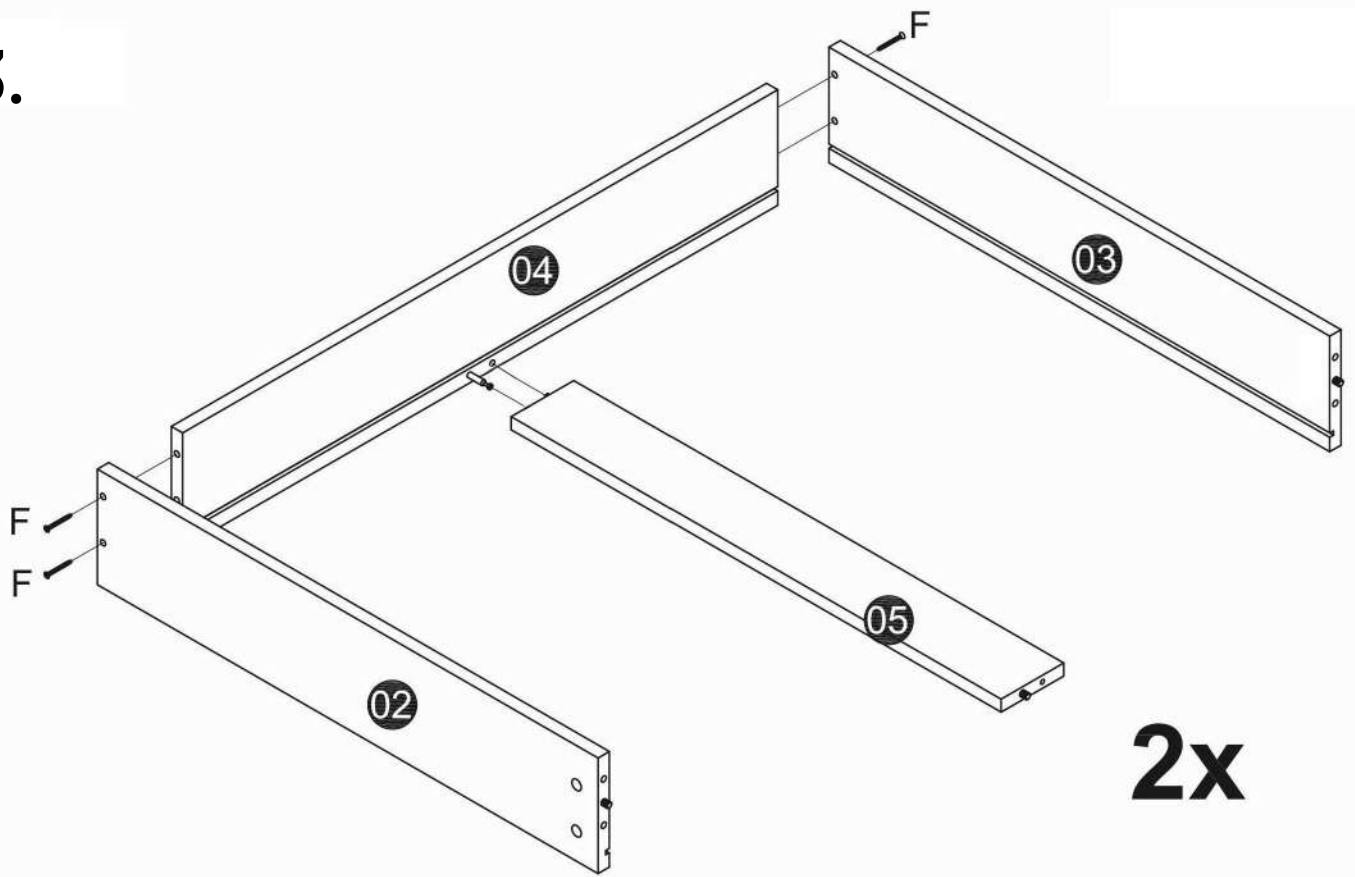
2.



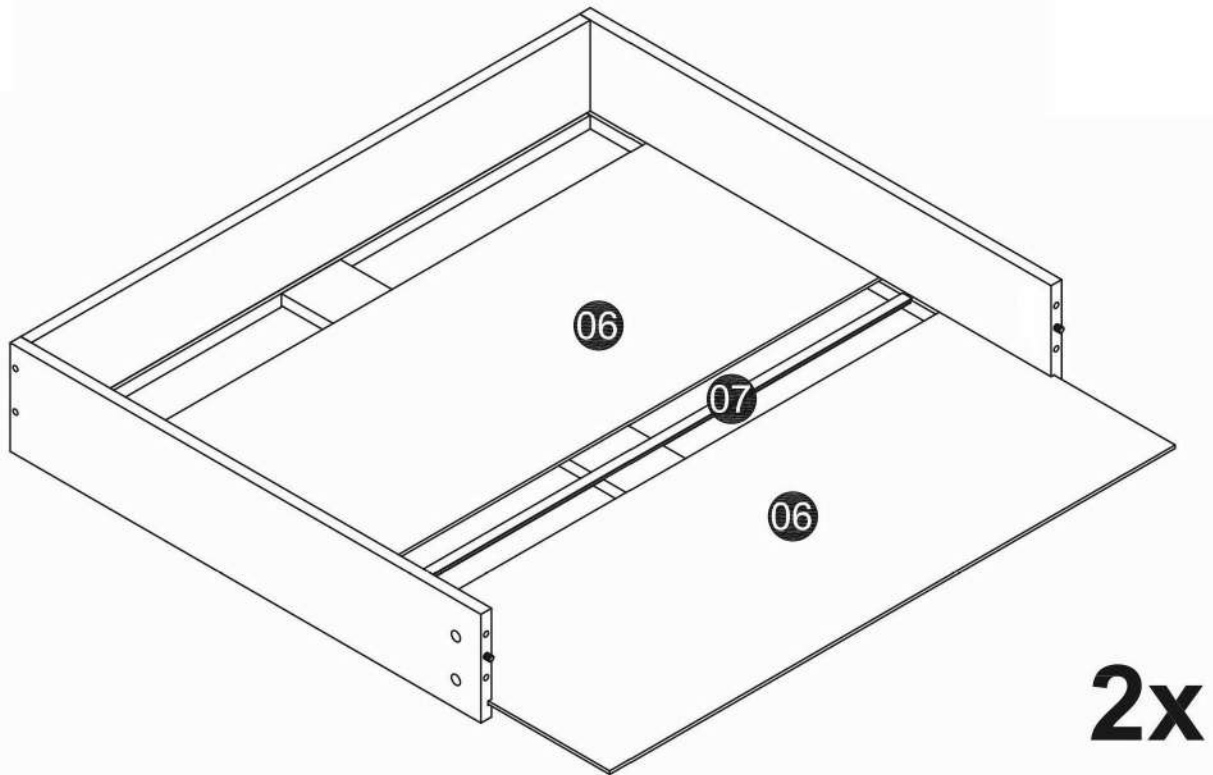
A x12



3.



4.

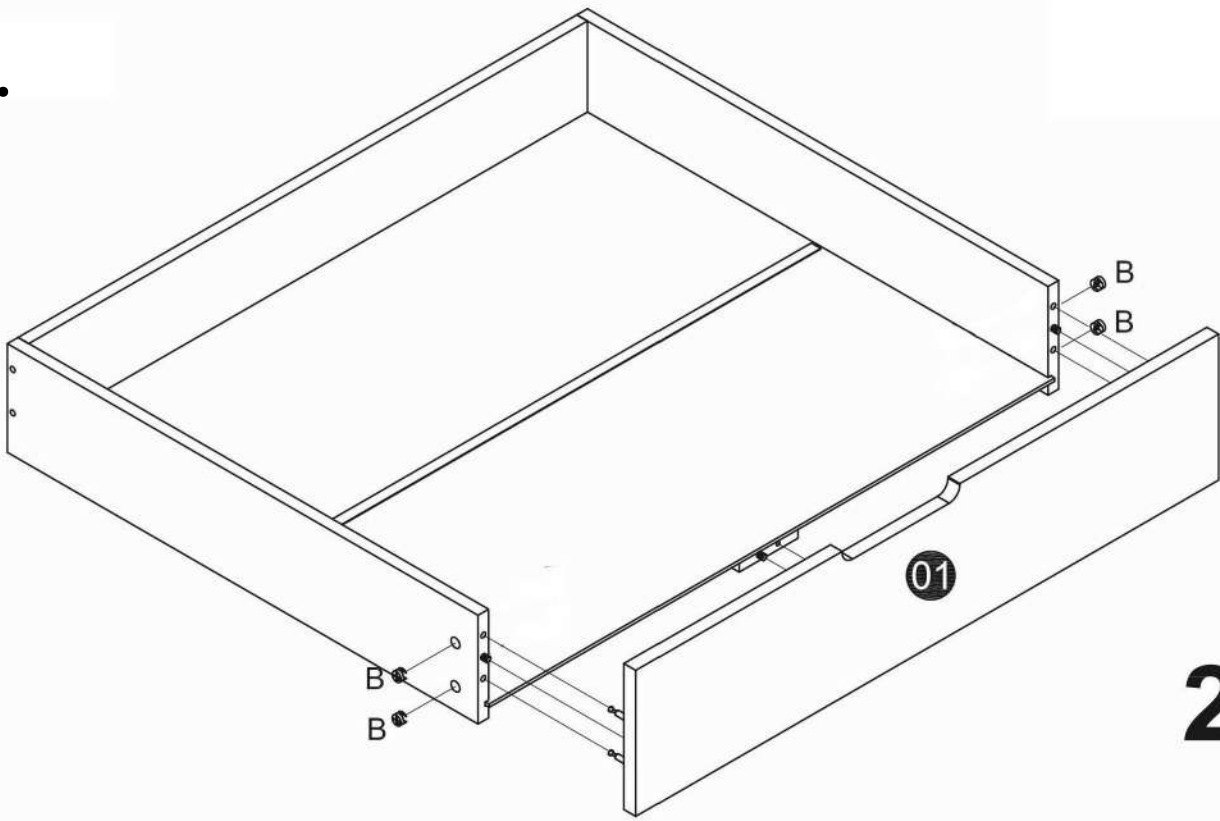


F x8



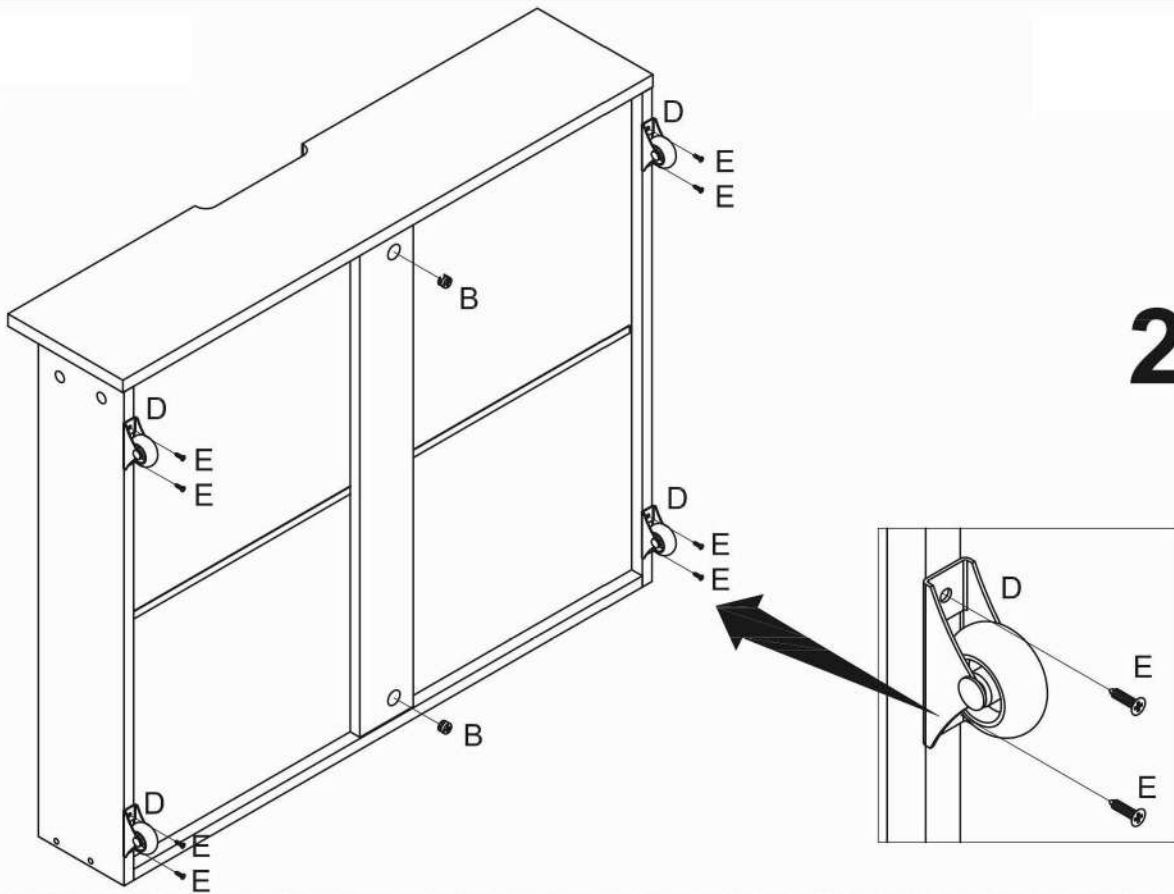
Ø4 x40mm

5.



2x

6.



2x

B x12



D x8



E x16

